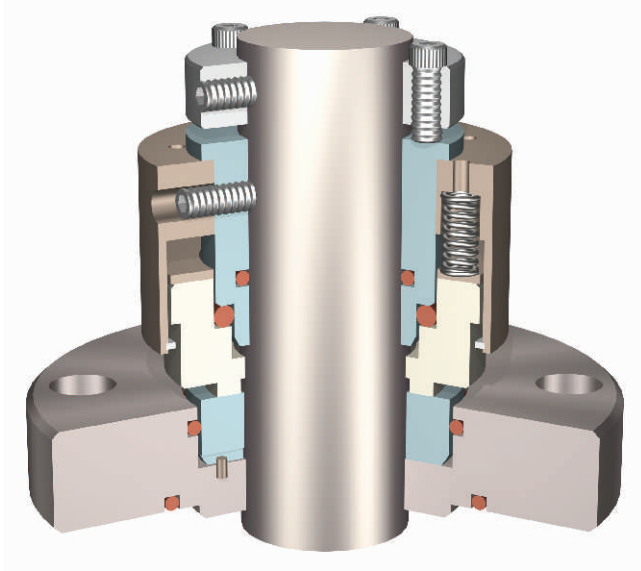


SSDB-E2

DRY RUNNING AGITATOR SEALS



HIFAB dry running single seals type SSDB-E2 can replace conventional gland packing effectively and economically. An innovative seal setting collar simplifies the installation even on large diameter shafts. Hydraulically balanced stationary face is free from any clamping stresses which cause leakage during start-up. The seal can tolerate large radial runout.

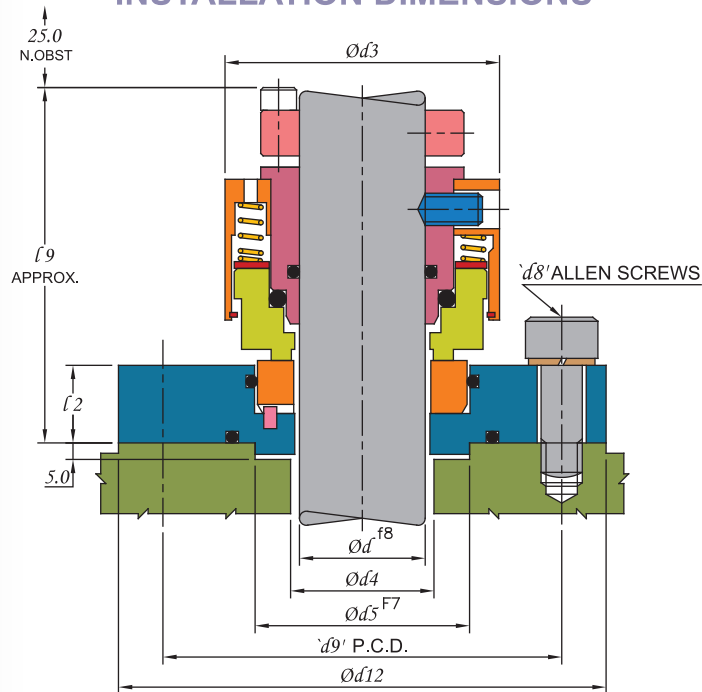
- ECONOMIC ALTERNATIVE TO GLAND PACKING
- DUAL BALANCED SEAL DESIGN
- SELF LUBRICATING FACES
- FOR VESSEL PRESSURE UPTO 6 BAR
- GMP VERSION AVAILABLE
- INNOVATIVE SEAL SETTING MECHANISM
- LONG & RELIABLE SERVICE LIFE



APPLICATIONS :

- TOP ENTRY AGITATORS
- PHARMA REACTORS
- FERMENTORS
- MULTIMILLS
- ROTOCON DRYERS

INSTALLATION DIMENSIONS



SEAL SIZE	d	d3	d4	d5	d8	d9'PCD	d12	l2	l9	SEAL SIZE	d	d3	d4	d5	d8	d9'PCD	d12	l2	l9
0476(0250)	25.0	63.50	30.0	47.5	4,M8	85.00	100.0	17.0	90.00	1111(0900)	90.00	133.35	95.00	115.0	4,M10	157.5	180.0	21.0	105.0
0476(0300)	30.0	63.50	35.0	47.5	4,M8	85.00	100.0	17.0	90.00	1174(0950)	95.00	139.70	100.0	120.0	4,M10	162.5	185.0	21.0	105.0
0539(0350)	35.0	71.42	40.0	53.5	4,M8	92.50	107.5	17.0	90.00	1174(1000)	100.0	139.70	105.0	120.0	4,M12	165.0	187.5	21.0	105.0
0603(0400)	40.0	76.20	45.0	60.0	4,M8	97.50	112.5	17.0	90.00	1238(1050)	105.0	146.05	110.0	127.5	4,M12	172.5	195.0	21.0	105.0
0666(0450)	45.0	82.55	50.0	67.5	4,M8	102.5	117.5	17.0	95.00	1301(1100)	110.0	155.57	115.0	132.5	6,M12	185.0	207.5	21.0	105.0
0730(0500)	50.0	93.68	55.0	72.5	4,M8	115.0	130.0	17.0	100.0	1365(1150)	115.0	161.92	120.0	140.0	6,M12	187.5	210.0	21.0	105.0
0730(0550)	55.0	93.68	60.0	72.5	4,M8	115.0	130.0	17.0	100.0	1428(1200)	120.0	168.30	125.0	145.0	6,M12	195.0	217.5	21.0	105.0
0793(0600)	60.0	101.60	65.0	80.0	4,M8	125.0	140.0	17.0	100.0	1428(1250)	125.0	168.30	130.0	145.0	6,M12	195.0	217.5	21.0	105.0
0857(0650)	65.0	107.95	70.0	86.0	4,M10	132.5	157.5	17.0	100.0	1492(1300)	130.0	174.63	135.0	152.5	6,M12	202.5	225.0	24.0	110.0
0920(0700)	70.0	114.30	75.0	92.5	4,M10	137.5	157.5	17.0	100.0	1555(1350)	135.0	181.00	140.0	162.5	6,M12	207.5	230.0	24.0	110.0
0920(0750)	75.0	114.30	80.0	92.5	4,M10	137.5	157.5	17.0	100.0	1619(1400)	140.0	187.32	145.0	165.0	6,M12	215.0	237.5	24.0	110.0
0984(0800)	80.0	120.65	85.0	97.5	4,M10	145.0	165.0	21.0	105.0	1682(1450)	145.0	193.67	150.0	177.5	6,M12	220.0	242.5	24.0	110.0
1047(0850)	85.0	127.00	90.0	105.0	4,M10	150.0	170.0	21.0	105.0	1746(1500)	150.0	200.00	155.0	185.0	6,M12	227.5	250.0	24.0	110.0

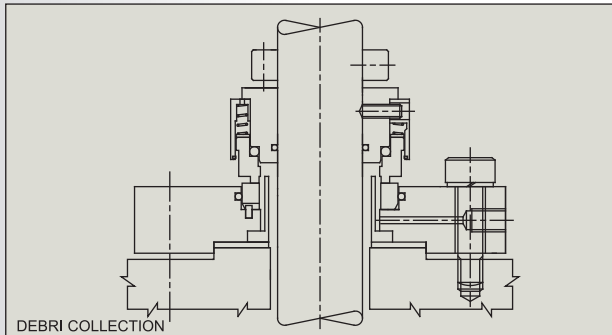
LIMITING PARAMETERS

PRESSURE	TEMPERATURE	SPEED
FULL VACUUM TO 6 BAR	- 40° C TO 120° C	1 m/sec

MATERIALS

METAL PARTS	SEAL FACES		ELASTOMERS
SS316 SPECIAL MOC ON REQUEST	ROTARY	STATIONARY	
	CARBON SIC	SIC, TC	VITON, EPR, SILICON RUBBER PTFE, GFT, STV AFLAS, FFKM

DESIGN VARIATIONS



Due to continuous improvement specifications & dimensions may change without prior notice

