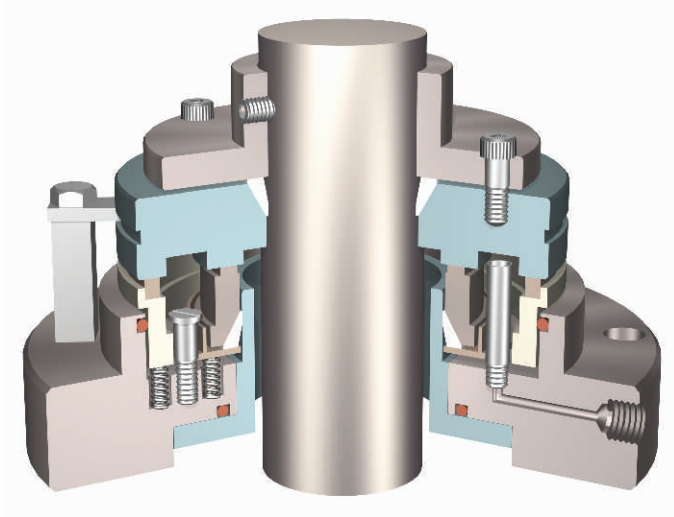


HCAX

DOUBLE COAXIAL RETROFIT SEAL



HCAX seals are Double Coaxial seals which require very low head room and can tolerate large shaft run-outs. They are used as retrofit seals for quick conversion of gland packing on reactors handling toxic and hazardous media.

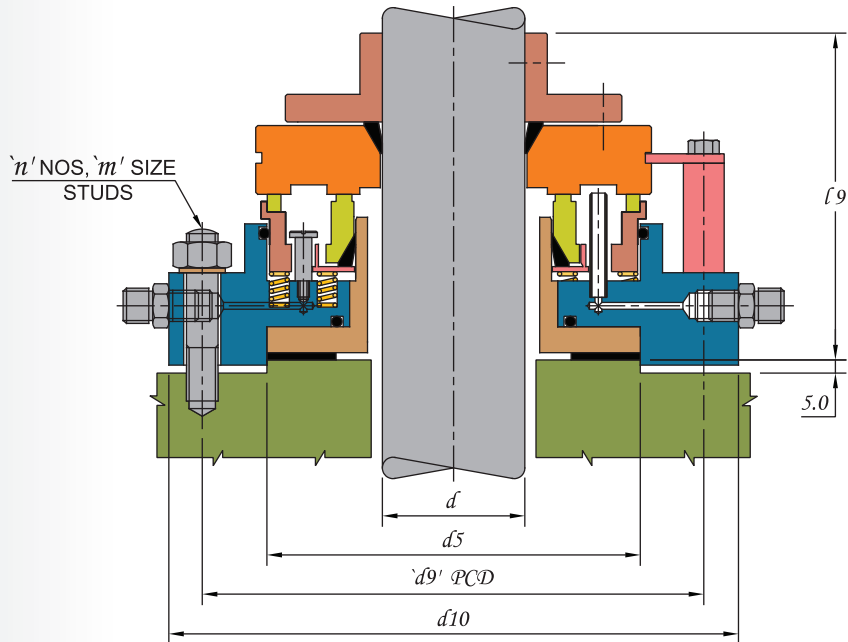
- FOR QUICK CONVERSION FROM GLAND PACKING
- FOR WORN-OUT SHAFTS
- CAN TOLERATE 3.8mm SHAFT RUNOUT / ECCENTRICITY & OUT OF SQUARE PAD FLANGE
- LOW HEAD ROOM REQUIRED
- CAN BE EASILY ADOPTED TO FIT ON ANY EXISTING PAD FLANGE
- ● STEAM STERILIZATION OPTION AVAILABLE



APPLICATIONS :

- GLAND PACKED REACTORS
- FERMENTORS
- GLASS LINED REACTORS

INSTALLATION DIMENSIONS



| d | $d5$ | $d9$ PCD | $d10$ | $l9$ | m | n |
|-------|--------|----------|-------|-------|-----|-----|
| 25.0 | 104.77 | 140.0 | 178.0 | 95.0 | M16 | 4 |
| 30.0 | 104.77 | 140.0 | 178.0 | 95.0 | M16 | 4 |
| 35.0 | 104.77 | 140.0 | 178.0 | 95.0 | M16 | 4 |
| 40.0 | 104.77 | 140.0 | 178.0 | 95.0 | M16 | 4 |
| 45.0 | 104.77 | 140.0 | 178.0 | 100.0 | M16 | 4 |
| 50.0 | 127.00 | 152.4 | 190.0 | 100.0 | M16 | 4 |
| 55.0 | 127.00 | 152.4 | 190.0 | 100.0 | M16 | 4 |
| 60.0 | 127.00 | 152.4 | 190.0 | 100.0 | M16 | 4 |
| 65.0 | 139.70 | 178.0 | 216.0 | 103.0 | M16 | 8 |
| 70.0 | 157.16 | 190.0 | 225.0 | 103.0 | M16 | 8 |
| 75.0 | 157.16 | 190.0 | 225.0 | 103.0 | M16 | 8 |
| 80.0 | 157.16 | 190.0 | 225.0 | 103.0 | M16 | 8 |
| 85.0 | 157.16 | 190.0 | 225.0 | 103.0 | M16 | 8 |
| 90.0 | 185.74 | 216.0 | 254.0 | 105.0 | M20 | 8 |
| 95.0 | 185.74 | 216.0 | 254.0 | 105.0 | M20 | 8 |
| 100.0 | 185.74 | 216.0 | 254.0 | 105.0 | M20 | 8 |
| 105.0 | 215.90 | 241.0 | 279.0 | 105.0 | M20 | 8 |
| 110.0 | 215.90 | 241.0 | 279.0 | 105.0 | M20 | 8 |
| 115.0 | 269.87 | 299.0 | 343.0 | 110.0 | M20 | 8 |

- The dimensions given above are preferred dimensions. However, these can be altered to suit the existing equipment for retrofit purpose.
- Dimensions for higher sizes available on request

LIMITING PARAMETERS

| PRESSURE | TEMPERATURE | SPEED |
|-----------------------|---------------------|---------|
| FULL VACUUM TO 16 BAR | - 40° C TO 200° C * | 2 m/sec |

* For higher temperatures consult HI-FAB

MATERIALS

| METAL PARTS | SEAL FACES ROTARY STATIONARY | ELASTOMERS |
|-----------------------------|--|--|
| SS316 HAST-C ALLOY-20 | HIFALLOY SIC HAST-C | VITON, EPR PTFE, GFT AFLAS, FFKM |
| | CARBON, SIC | |

Due to continuous improvement specifications & dimensions may change without prior notice