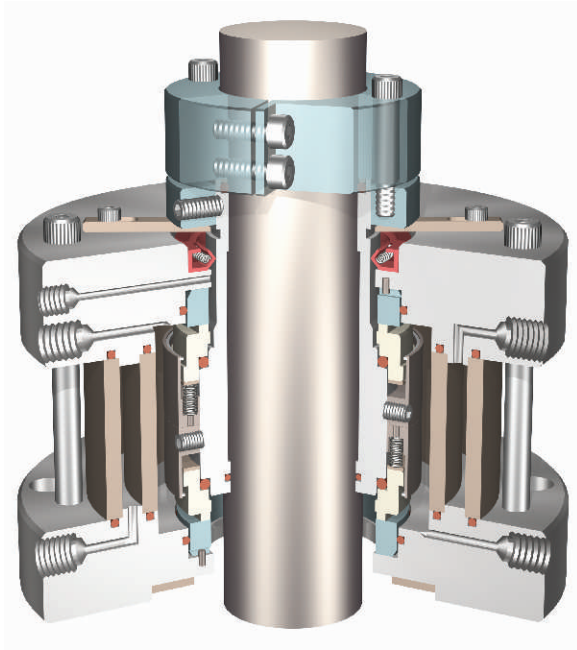


# DSSDB

## DOUBLE DUAL BALANCED CARTRIDGE SEALS



- FOR HIGH PRESSURE LOW SPEED AUTOCLAVES
- DUAL BALANCED SEALS WITH AUTO-REVERSAL FOR MAXIMUM SAFETY
- COOLING JACKET A STANDARD FEATURE
- HYDRAULICALLY BALANCED & STRESS FREE STATIONARY FACES
- ● SPLIT CLAMPING AVOIDS SHAFT DAMAGE

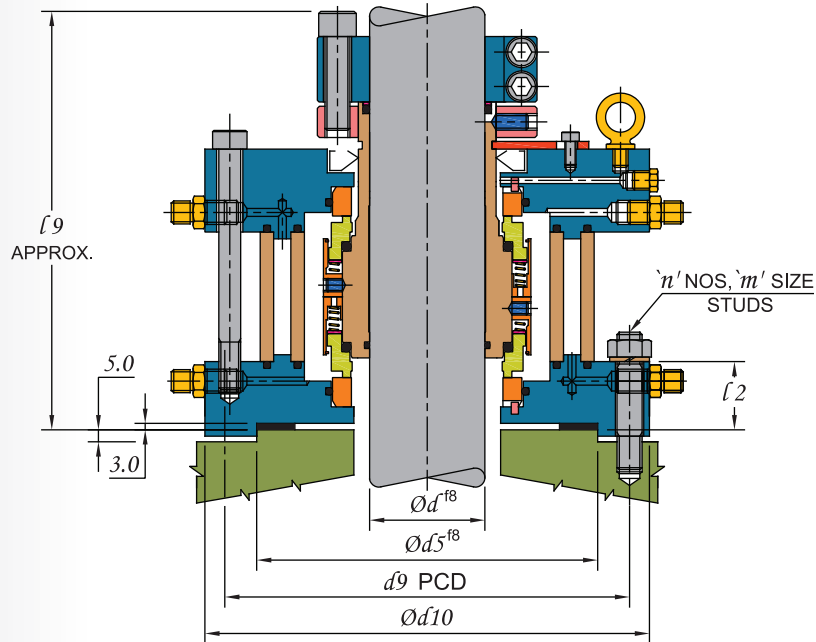
### APPLICATIONS :

- HIGH PRESSURE AUTOCLAVES



DSSDB-HBBJS

# INSTALLATION DIMENSIONS



SEAL SIZE	$d$	$d5$	$d9$ PCD	$d10$	$l2$	$l9$	$m$	$n$
0500	50.0	160.0	200.0	220.0	40.0	280.0	M12	8
0600	60.0	170.0	210.0	240.0	45.0	310.0	M16	8
0800	80.0	190.0	240.0	300.0	45.0	285.0	M20	8
1000	100.0	240.0	300.0	340.0	45.0	295.0	M20	8
1200	120.0	275.0	320.0	360.0	45.0	330.0	M20	12
1300	130.0	270.0	340.0	380.0	45.0	350.0	M20	12
1500	150.0	313.0	350.0	385.0	45.0	315.0	M20	12

OTHER SIZES AVAILABLE ON REQUEST

## LIMITING PARAMETERS

PRESSURE
FULL VACUUM TO 40 BAR

TEMPERATURE
- 40° C TO 200° C*

SPEED
2 m/sec

\* For higher temperatures consult HI-FAB

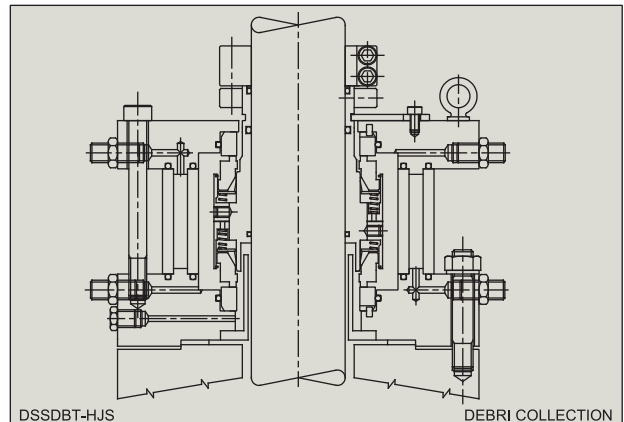
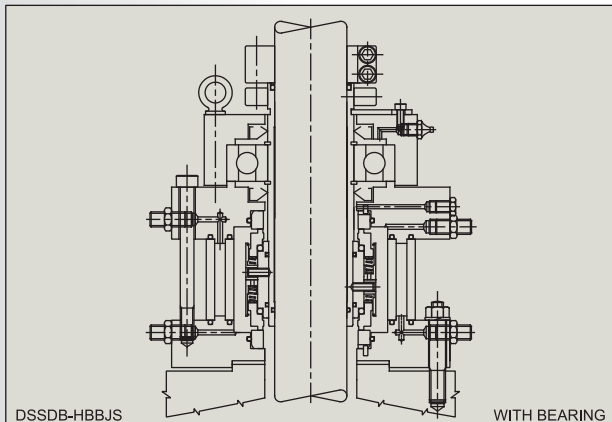
## MATERIALS

METAL PARTS
SS316 SPECIAL MOC ON REQUEST

SEAL FACES	
ROTARY	STATIONARY
CARBON	SIC, TC
SIC	SIC

SEAL TYPE	ELASTOMERS
DSSDBT	PTFE
DSSDB	VITON EPR, FFKM AFLAS

## DESIGN VARIATIONS



Due to continuous improvement specifications & dimensions may change without prior notice